

锰锌氧铁材料规格尺寸 Specification and Dimensions of MnZn Ferrite Material

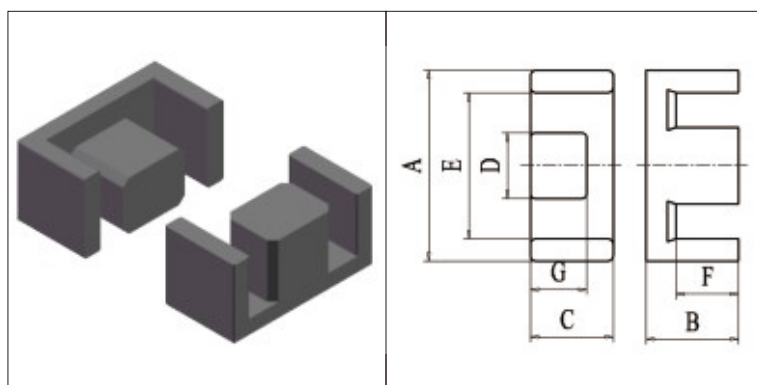


FIG.1

EM 型 / EM Core

型号 TYPE	图例 FIG.	尺寸 Dimensions (mm)						
		A	B	C	D	E	F	G
EM6.4	1	6.4±0.15	3.65±0.1	3.25±0.1	1.9±0.1	4.9±0.15	2.85±0.15	1.8±0.1
EM7.4/11/2.5	1	7.4±0.2	5.5±0.2	2.5±0.2	2.2±0.1	5.4±0.1	4.5±0.1	1±0.1
EM12.4/6	1	12.4±0.2	6.0±0.2	4.0±0.1	5.15±0.15	9.65±0.25	4.6±0.2	2.2±0.1
EM12.6/12.4/4	1	12.6±0.35	6.15+0.2/-0.1	4±0.2	5±0.2	9.9min	4.75+0.2/-0.1	2±0.2
EM12.7/7A	1	12.7±0.25	6.85±0.15	3.3±0.15	6.0±0.1	9.0min	4.55±0.15	1.85±0.1
EFD12.7F	1	12.7±0.3	10.6±0.15	5.4±0.15	4.5±0.15	8.7min	8.1±0.15	3.5±0.15
EM12.7/12.9/4.8	1	12.7±0.3	6.4+0.2/-0.1	4.75±0.2	5.15±0.15	9.7min	4.9+0.2/-0.1	2.2±0.1
EM13/12.6/4.2	1	13±0.3	6.3±0.15	4.15±0.2	4.6±0.2	10.4±0.2	4.9±0.15	2.35±0.15
EM13.4/6	1	13.4±0.2	6.05±0.15	3.5±0.15	6.8±0.1	10.4±0.2	3.9±0.15	1.8±0.1
EM13.5/12.9/4.6	1	13.5±0.25	6.45±0.2	4.6±0.15	4.85±0.15	10.5±0.2	4.35±0.15	2.05±0.15
EM15/19/3.8	1	15±0.4	9.5±0.16	3.8±0.2	5.3±0.2	11±0.35	6.7±0.25	1.9±0.15
EM16.6W	1	16.55±0.25	19.5±0.2	4.45±0.1	5.8+0.15/-0.2	11.4min	16.55+0.2/-0.1	2.8+0.1/-0.08
EM17/17.2/5.3	1	17.0±0.4	8.6±0.1	5.3±0.15	6.95±0.15	12.65±0.35	6.5±0.15	3±0.15
EM17A	1	17.0±0.4	8.5±0.1	5.3±0.15	6.95±0.15	12.65±0.35	6.4±0.2	3±0.15
EM17.7/17.2/5.6	1	17.7±0.3	8.6±0.15	5.6±0.15	7.5±0.3	13.1min	6.3±0.15	3.3±0.1
EM20/20/6.7A	1	20±0.5	9.95±0.1	6.65±0.15	8.9±0.15	15.4±0.45	7.65±0.15	3.6±0.15
EM22.2/22.5/7.9	1	22.2±0.4	11.25±0.2	7.9±0.2	8.4±0.15	16.4±0.4	8.35±0.25	5.4±0.15
EM22.2/26.8/7.9	1	22.2±0.4	13.4±0.2	7.9±0.2	8.4±0.15	16.4±0.4	10.5±0.25	5.4±0.15
EM23/15.4/8	1	23±0.4	7.7±0.15	8±0.2	8.9±0.15	19.4±0.4	5.2±0.2	
EM24.5	1	24.47±0.65	13.5±0.15	9.29±0.2	11.0±0.2	18.3±0.6	9.325±0.25	5.2±0.15
EVD25Y	1	25+0.9/-0.7	12.9+0/-0.5	13+0/-0.8	8.8+0.4/-0.25	18.8+1.2/-0	9.3+0.6/-0	8.3+0.4/-0.3

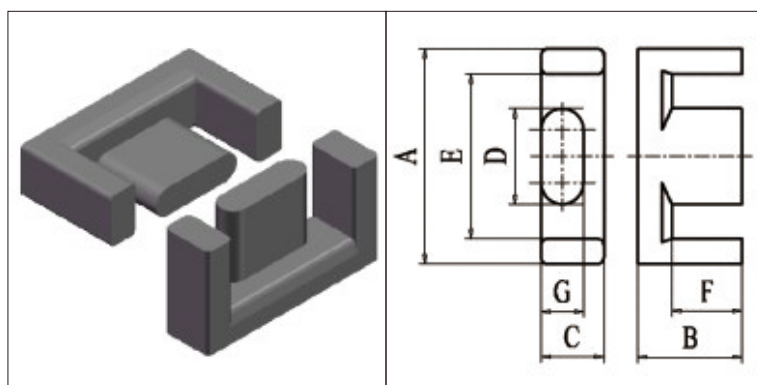


FIG.2

EM 型 / EM Core

型号 TYPE	图例 FIG.	参数 Parameters				AL(Ref)*		重量(Ref) g / PRS
		C1	Ae	Le	Ve	TP4A	TPW33	
EM6.4	1	4.15	4.15	17.21	71.40	370	430	16.00
EM7.4/11/2.5	1	7.42	2.91	21.61	62.9			0.5
EM12.4/6	1	2.59	11.18	28.92	323.30	730	880	1.68
EM12.6/12.4/4	1	3.01	10.04	30.25	303.70	600	730	1.70
EM12.7/7A	1	2.43	11.95	29.03	346.90	730	880	1.91
EFD12.7F	1	2.40	18.60	43.50	807.00	940	1250	4.42
EM12.7/12.9/4.8	1	2.35	12.62	29.63	373.90	800	1000	2.00
EM13/12.6/4.2	1	2.83	11.01	31.14	342.9	500	620	1.8
EM13.4/6	1	2.21	12.07	26.68	322.00	730	870	1.73
EM13.5/12.9/4.6	1	2.28	12.79	29.16	373.00	800	1000	2.20
EM15/19/3.8	1	3.00	12.82	38.59	494.70	550	680	3.14
EM16.6W	1	4.22	18.85	79.51	1498.80	508	660	8.00
EM17/17.2/5.3	1	1.84	21.92	40.27	882.7	1100		4.5
EM17A	1	1.82	21.93	39.87	874.40	1110	1370	4.48
EM17.7/17.2/5.6	1	1.63	24.75	40.22	995.40	1270	1580	4.80
EM20/20/6.7A	1	1.52	31.13	47.41	1475.7			7.7
EM22.2/22.5/7.9	1	1.15	45.64	52.5	2396.0	2000.0		12.35
EM22.2/26.8/7.9	1	1.36	45.54	61.77	2812.90	1700	2200	14.00
EM23/15.4/8	1	1.25	33.13	41.49	1374.6			7.6
EM24.5	1	0.97	60.91	58.93	3589.60	2280	2890	19.37
EVD25Y	1	0.83	73.97	61.28	4532.80	2770	3530	23.00

*-Al为磁心对应参考值,具体规格以双方签订承诺书为准; AL测试条件:1kHz 0.3V 10Ts; AL单位:nH/N²

*-图例仅展示产品形状,具体细节以实物或以双方签订承诺书为准。

锰锌氧铁材料规格尺寸 Specification and Dimensions of MnZn Ferrite Material

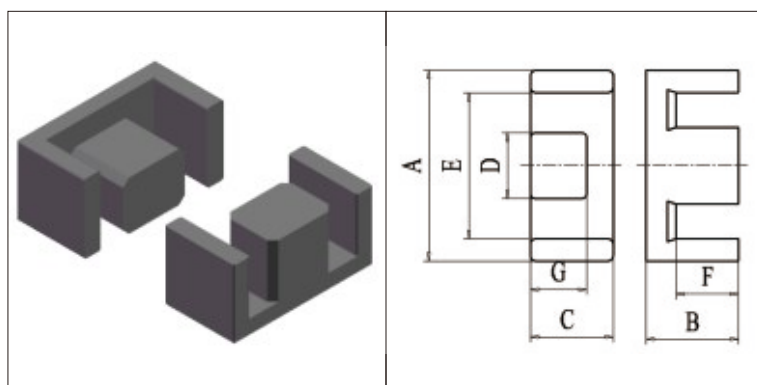


FIG.1

EM 型 / EM Core

型号 TYPE	图例 FIG.	尺寸 Dimensions (mm)						
		A	B	C	D	E	F	G
EVD25U	1	25.1+0.8/-0	13.1±0.2	12.55±0.25	8.8±0.25	19.4+0.8/-0	9.9+0.2/-0.1	8.3±0.3
EM25/25/7.6	1	25±0.65	12.5±0.2	7.6±0.2	11.4±0.3	18.7±0.6	9.3±0.2	4.3±0.2
EVD26/28/12	1	26±0.7	14±0.25	12±0.35	9.5±0.4	19.3±0.5	10.15±0.25	8.2±0.3
EM25.8/28.1/14.9A	1	26+0.1/-0.5	14.05±0.15	14.9±0.25	10±0.2	18.4min	10.3±0.15	10.8±0.15
EM26/14B	1	26±0.4	13.7±0.2	10.3±0.2	11.6±0.2	17.8±0.4	9.6+0.2/-0.15	7.4±0.15
EM27.4/26/7	1	27.4±0.4	13±0.2	7±0.2	13±0.2	21.4±0.4	10±0.2	3.2±0.15
EM27.7/7.2/11.4	1	27.7±0.35	3.6±0.1	11.4±0.2	13.5±0.2	23.7±0.35	1.35±0.15	3.5±0.1
EM28/17A	1	28±0.4	16.8±0.2	13±0.2	9±0.2	20.3+0.5/-0.2	12.3+0.3/-0.1	8.6±0.2
EM29/26/11.8	1	29±0.75	13±0.2	11.8±0.2	11±0.25	22.5±0.65	9.5±0.25	6.9±0.2
EM30/6.8/9.3	1	30±0.4	3.4±0.1	9.3±0.2	9.2±0.2	22±0.4	0.6±0.15	
EM31.5/43.6/6.9	1	31.5±0.45	21.8±0.2	6.9±0.25	12.5±0.2	23.1±0.4	17.6±0.2	4.4±0.2
EM32.4/29.2/12	1	32.4±0.8	14.6±0.3	12±0.4	13±0.3	24.4±0.5	10.3±0.2	7.5±0.3
EM35E	1	35±0.5	29.1±0.2	5.4±0.15	15±0.2	24+0.5/-0.3	23.3+0.3/-0.1	3.8+0.1/-0.2
EM35.5/35.5/6.8A	1	35.5±0.8	17.75±0.2	6.8±0.2	16.2+0.3/-0.4	26.2±0.4	13.1±0.2	3.9+0.1/-0.15
EM36.5/33.8/11.5	1	36.5±0.7	16.9±0.3	11.5±0.4	15.3±0.3	26.5±0.5	11.7±0.2	7.7±0.3
EM37.7/35.6/7.6	1	37.7±0.65	17.8±0.2	7.6±0.25	18.8±0.3	29.5±0.6	13.3±0.2	3.4±0.2
EM38/41.2/7.6A	2	38+0.9/-0.4	20.6±0.2	7.6±0.25	18.8±0.3	29.4min	15.8+0.3/-0.1	3.4±0.2
EM39/24A	2	39±0.7	23.55±0.25	9.6±0.35	17.7+0.2/-0.3	31±0.7	17.55±0.2	4.5±0.2
EM41/45/15B	1	41±0.8	22.5±0.2	15±0.2	19.5±0.2	28.7min	16±0.25	9±0.2
EM41/40.8/11.8	2	41±0.7	40.8±0.3	11.8±0.3	16.6+0.3/-0.4	31.4+0.7/-0.5	31.2±0.3	6.7±0.25
EM43.4/44/8B	2	43.4±0.6	22.1±0.2	8±0.3	22.5±0.3	33.5min	17±0.2	3.2±0.15

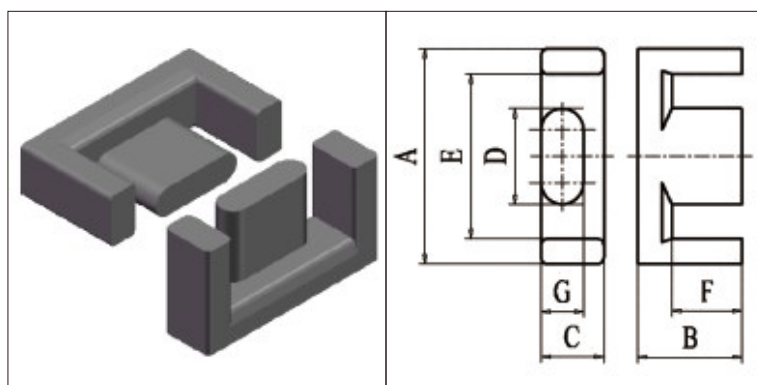


FIG.2

EM 型 / EM Core

型号 TYPE	图例 FIG.	参数 Parameters				AL(Ref)*		重量(Ref) g / PRS
		C1	Ae	Le	Ve	TP4A	TPW33	
EVD25U	1	0.81	74.25	60.05	4459.80	2910	3700	24.00
EM25/25/7.6	1	1.19	48.50	57.74	2800.40	1940	2460	15.62
EVD26/28/12	1	0.79	81.30	64.25	5223.60	2840	3620	26.89
EM25.8/28.1/14.9A	1	0.59	108.05	64.20	6936.80	3940	5030	34.89
EM26/14B	1	0.71	85.23	60.09	5121.70	3310	4210	60.00
EM27.4/26/7	1	1.48	41.50	62.00	2596.00	1590	2030	14.00
EM27.7/7.2/11.4	1	0.64	49.79	31.64	1575.4			8.2
EM28/17A	1	0.82	91.04	74.71	6801.60	2550	3280	35.20
EM29/26/11.8	1	0.82	77.98	63.92	4984.5	2900		25.35
EM30/6.8/9.3	1	0.49	56.02	27.29	1528.8			8.5
EM31.5/43.6/6.9	1	1.71	56.67	96.71	5480.60	1460	1900	28.15
EM32.4/29.2/12	1	0.7	98.48	69.35	6829.6			35.9
EM35E	1	2.10	58.28	122.46	7136.70	1220	1600	36.20
EM35.5/35.5/6.8A	1	1.27	63.20	80.10	5062.30	2000	2500	26.30
EM36.5/33.8/11.5	1	0.66	117.25	77.53	9090.40	3680	4740	47.20
EM37.7/35.6/7.6	1	1.29	64.00	84.00	5345.00	1860	2410	28.50
EM38/41.2/7.6A	2	1.46	64.74	94.25	6101.80	1690	2200	32.00
EM39/24A	2	1.24	83.49	103.23	8618.70	1930	2520	45.20
EM41/45/15B	1	0.55	179.45	98.47	17671.20	4590	5990	88.00
EM41/40.8/11.8	2	0.90	110.92	99.58	11045.00	2900	3700	55.00
EM43.4/44/8B	2	1.37	74.50	101.83	7586.60	1830	2390	60.00

*-Al为磁心对应参考值,具体规格以双方签订承诺书为准; AL测试条件:1kHz 0.3V 10Ts; AL单位:nH/N²

*-图例仅展示产品形状,具体细节以实物或以双方签订承诺书为准。

锰锌氧铁材料规格尺寸 Specification and Dimensions of **MnZn** Ferrtie Material

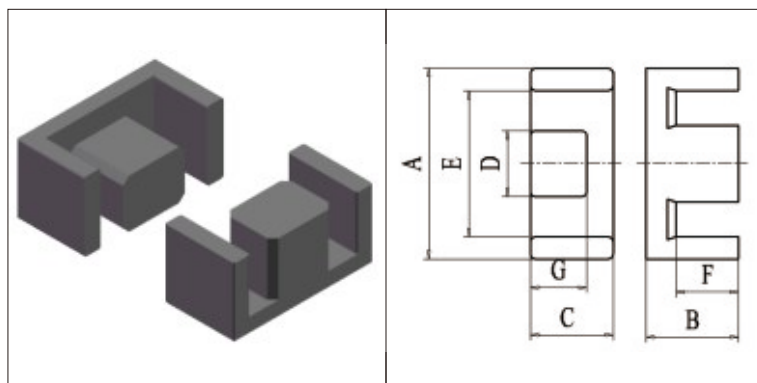


FIG.1

EM 型 / EM Core

型号 TYPE	图例 FIG.	尺寸 Dimensions (mm)						
		A	B	C	D	E	F	G
EM44/44.6/10	1	44±0.6	22.3±0.3	10±0.25	20+0.2/-0.3	31.5min	16.2±0.2	6.6±0.15
EM44/44.6/13	1	44±0.6	22.3±0.3	13±0.25	20+0.2/-0.3	31.5min	16.2±0.2	6.25±0.15
EM45.2/49.4/5.9	2	45.2±0.8	24.7±0.2	5.9±0.3	24±0.4	33.6±0.8	18±0.2	2.9±0.2
EM45.5/48.6/6.5	1	45.5±0.8	24.3±0.25	6.5±0.3	22.8±0.35	33.4±0.7	17.7±0.25	3.3±0.2
EM47.8/53.6/17.5A	1	47.8±0.6	26.8±0.15	17.5±0.3	21±0.35	36±0.6	20.9±0.15	10+0.15/-0.2
EM48/44.6/15	1	48±0.6	22.3±0.3	15±0.25	20+0.2/-0.3	31.5min	16.2±0.2	6.6±0.15
EM49/53.2/7B	2	49±0.6	26.6±0.2	7+0.2/-0.3	27+0.15/-0.35	35.3min	19.3+0.2/-0.1	3.5+0.1/-0.3
EM51/61	1	51±0.8	30.3±0.15	13.75±0.3	22.5±0.4	35.2min	22.3±0.15	8.9±0.2
EM50.4/47.4/8.2A	1	50.4±0.7	23.7±0.3	8.2±0.3	26.2±0.3	36.4min	17±0.3	4.15±0.25
EM50.5/52.4/12	2	50.5±1	26.2±0.2	12±0.3	21.3±0.3	37.5min	19±0.2	7.5±0.3
EM50.7/26	2	50.7±0.7	25.6±0.25	9±0.35	23.6±0.3	38.1±0.7	18.5±0.25	5±0.2
EM50.7/28	2	50.7±0.7	27.85±0.25	9±0.35	23.6±0.3	38.1±0.7	20.75±0.25	5±0.2

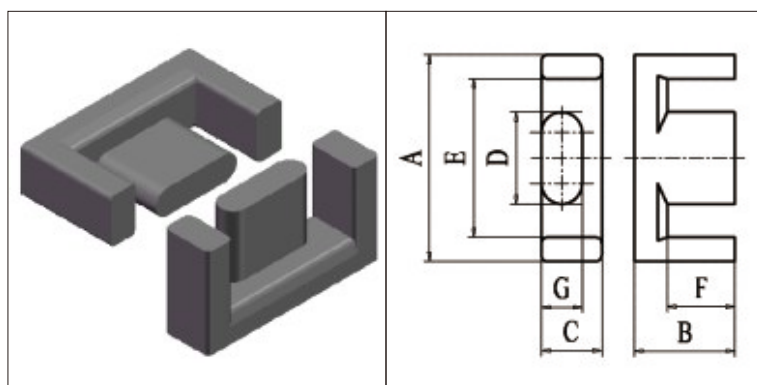


FIG.2

EM 型 / EM Core

型号 TYPE	图例 FIG.	参数 Parameters				AL(Ref)*		重量(Ref) g /PRS
		C1	Ae	Le	Ve	TP4A	TPW33	
EM44/44.6/10	1	0.81	124.22	100.21	12448.30	3100	4000	64.30
EM44/44.6/13	1	0.71	140.92	100.66	14184.70	3200	4200	76.40
EM45.2/49.4/5.9	2	1.53	70.00	107.60	7542.00	1640	2140	58.00
EM45.5/48.6/6.5	1	1.36	78.57	106.67	8381.40	1840	2400	44.76
EM47.8/53.6/17.5A	1	0.6	207.9	123.8	25738.0			129.5
EM48/44.6/15	1	0.59	169.46	99.21	16811.80	3600	4700	86.40
EM49/53.2/7B	2	1.24	93.11	115.01	10708.70	2080	2730	55.70
EM51/61	1	0.64	206.86	131.78	27260.4			137.0
EM50.4/47.4/8.2A	1	0.98	109.12	106.61	11633.10	2660	3480	61.32
EM50.5/52.4/12	2	0.76	156.02	118.80	18534.70	3200	4210	94.20
EM50.7/26	2	0.97	118.33	115.29	13642.50	2590	3400	75.00
EM50.7/28	2	1.07	115.98	124.88	14483.10	2400	3160	75.00

*-Al为磁心对应参考值,具体规格以双方签订承诺书为准; AL测试条件:1kHz 0.3V 10Ts; AL单位:nH/N²

*-图例仅展示产品形状,具体细节以实物或以双方签订承诺书为准。